

Introduction to Software Architecture

17-313 Spring 2024

Foundations of Software Engineering

<https://cmu-313.github.io>

Michael Hilton and Eduardo Feo Flushing

Administrivia

- “Regrade requests can be submitted via Gradescope. The regrade period is open for one week after grades have been released for a particular assignment.”

Smoking Section

- Last **two** full rows



Learning Goals

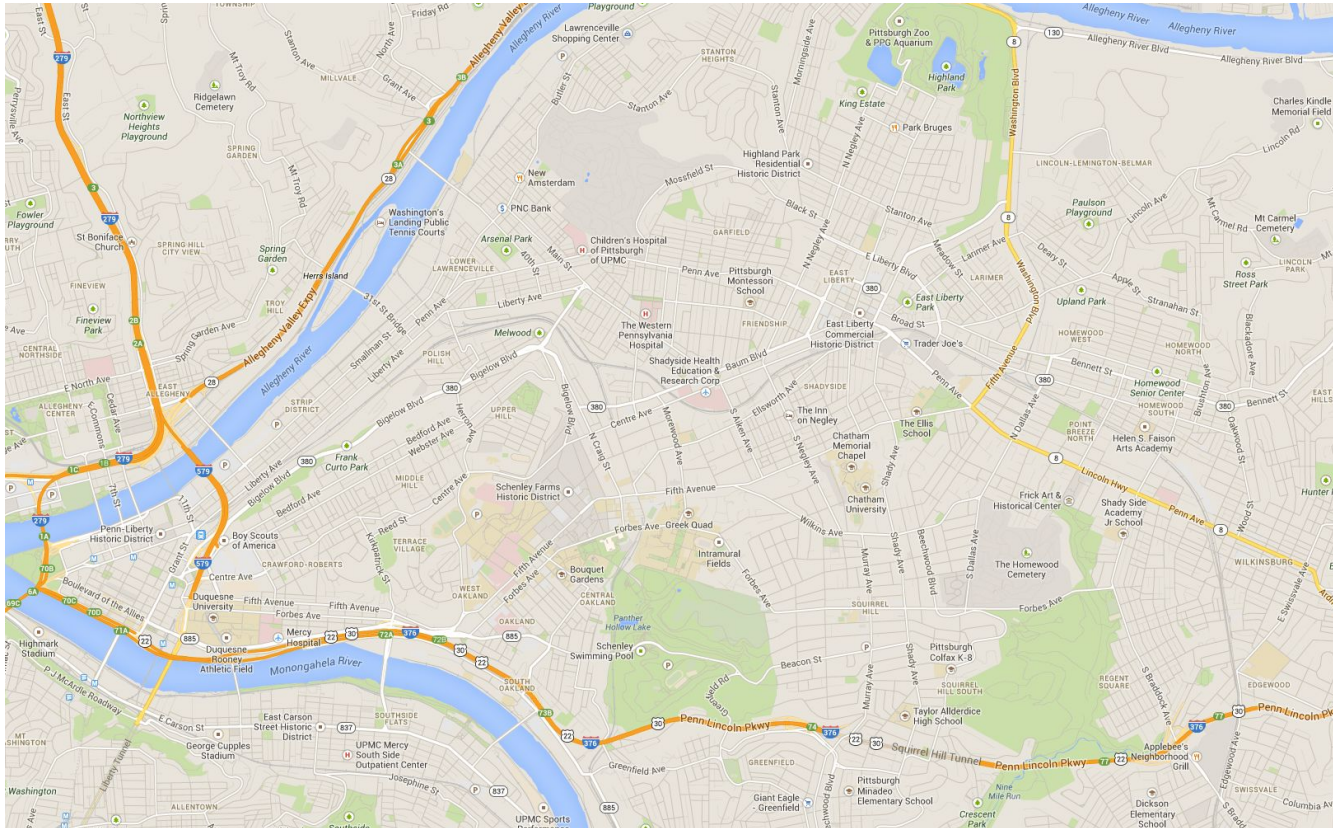
- Understand the abstraction level of architectural reasoning
- Appreciate how software systems can be viewed at different abstraction levels
- Distinguish software architecture from (object-oriented) software design
- Explain the importance of architectural decisions
- Integrate architectural decisions into the software development process
- Document architectures clearly, without ambiguity

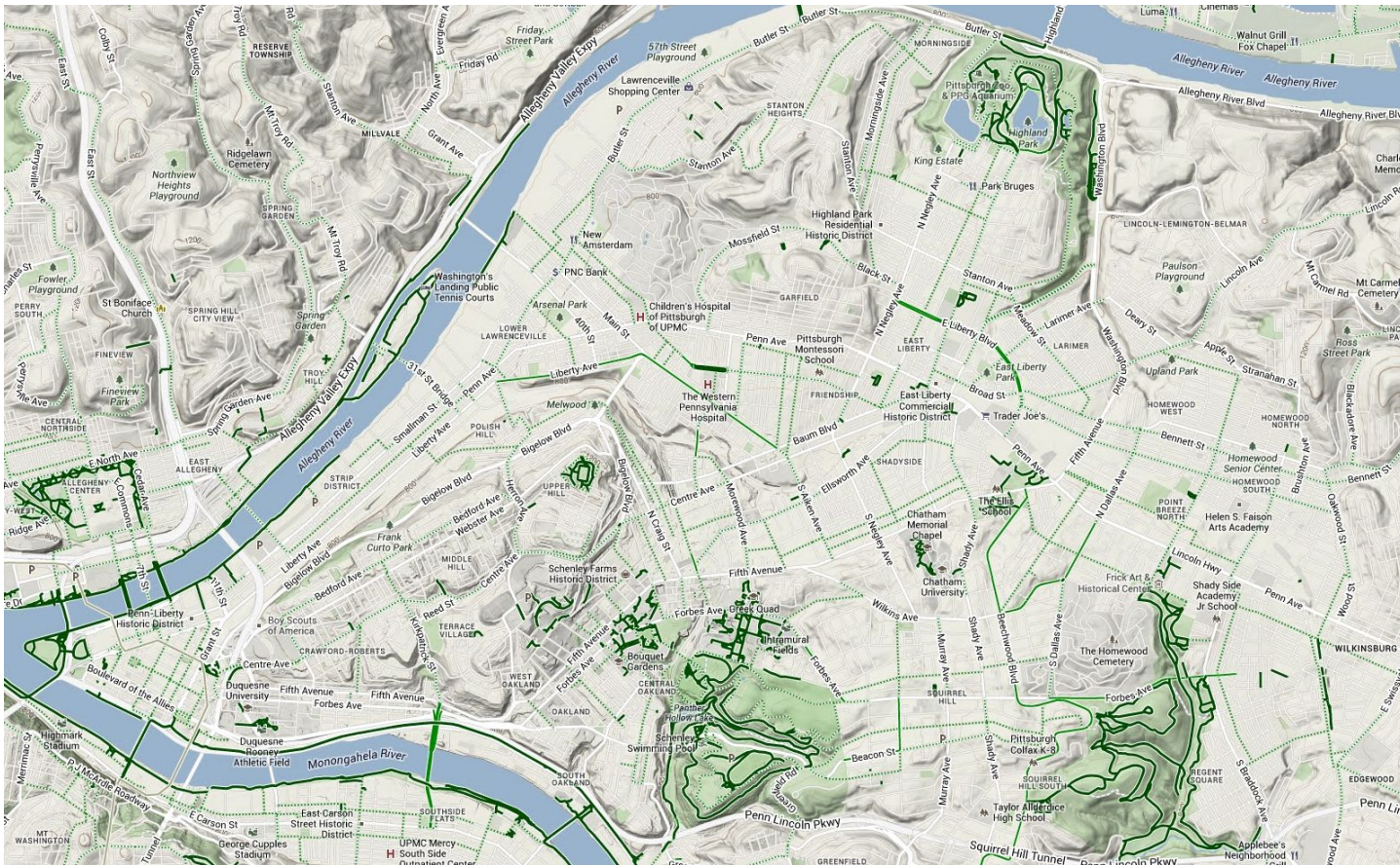
Outline

- Views and Abstraction
- Case Study: Autonomous Vehicles
- Software Architecture
 - Definitions, Importance
 - Software Design vs. Software Architecture
- Architecting software
 - Integrating Architectural Decisions into the SW Development Process
 - Common Software Architectures
 - Documentation

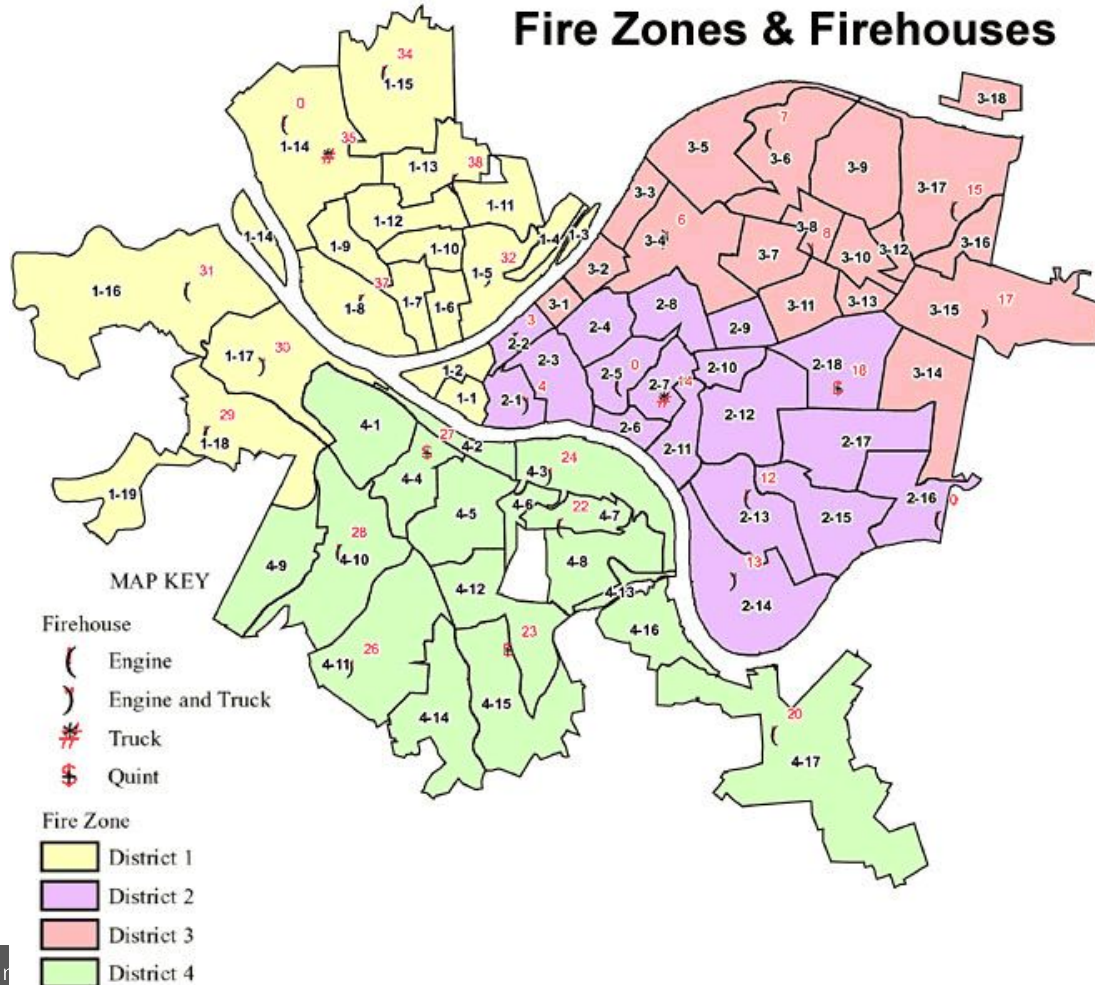
Outline

- Views and Abstraction
- Case Study: Autonomous Vehicles
- Software Architecture
 - Definitions, Importance
 - Software Design vs. Software Architecture
- Architecting software
 - Integrating Architectural Decisions into the SW Development Process
 - Common Software Architectures
 - Documentation



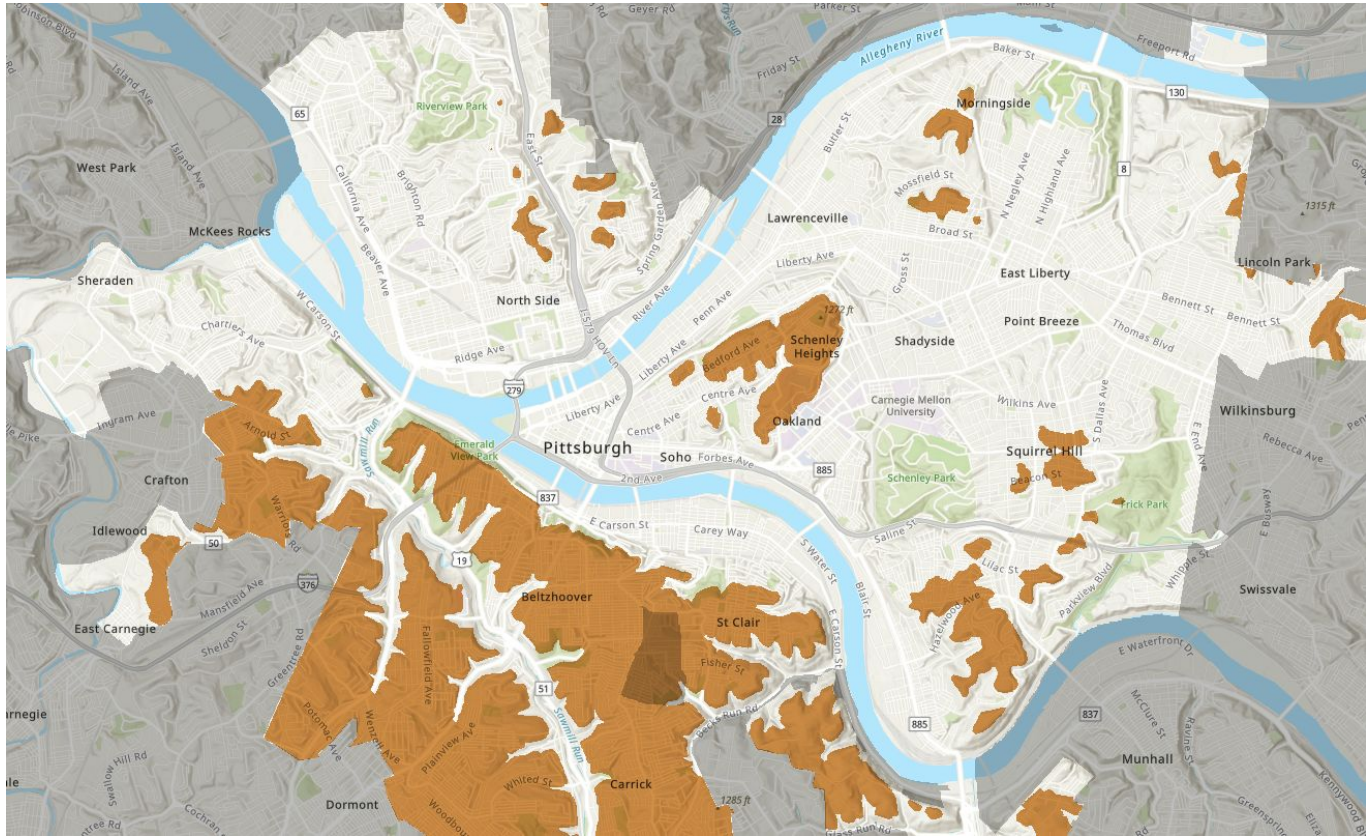


Fire Zones & Firehouses





 Pittsburgh Zoning Map



Source: Pittsburgh Zoning Map

<https://gis.pittsburghpa.gov/pghzoning/>

Abstracted views focus on conveying specific information

- They have a well-defined purpose
- Show only necessary information
- Abstract away unnecessary details
- Use legends/annotations to remove ambiguity
- Multiple views of the same object tell a larger story

Outline

- Views and Abstraction
- **Case Study: Autonomous Vehicles**
- Software Architecture
 - Definitions, Importance
 - Software Design vs. Software Architecture
- Architecting software
 - Integrating Architectural Decisions into the SW Development Process
 - Common Software Architectures
 - Documentation

Case Study: Apollo

Check out the “side pass” feature from the video:

<https://www.youtube.com/watch?v=BXNDUtNZdM4>

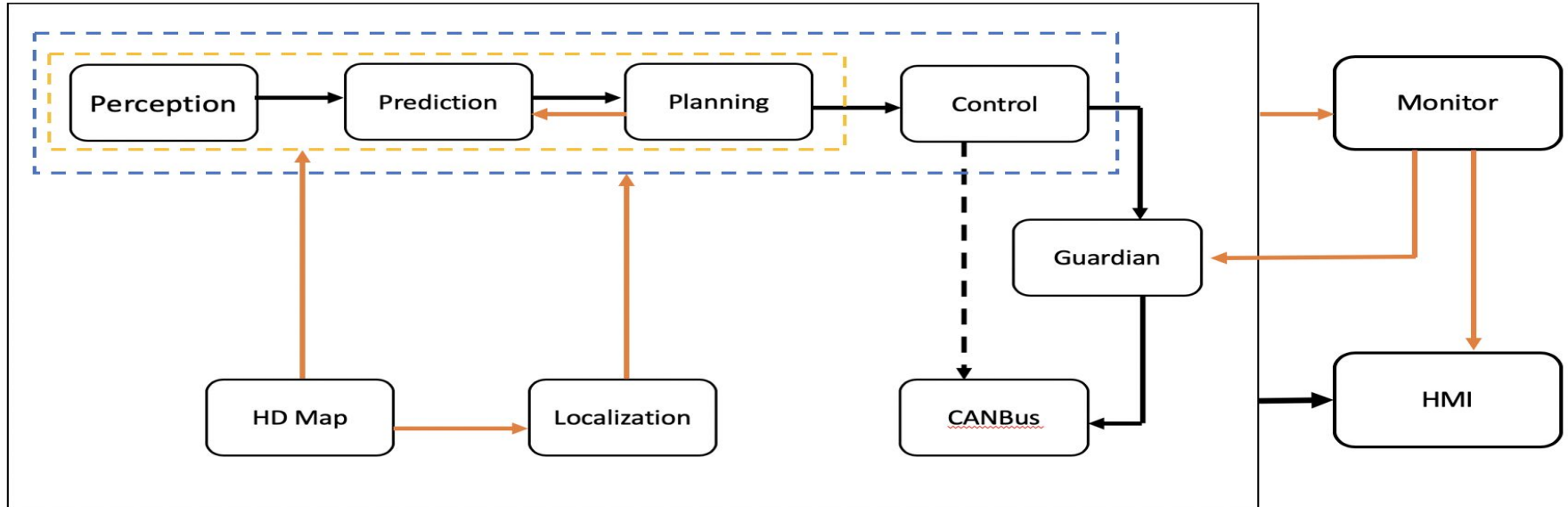
- Discuss in teams of 4 what parts are associated with the **side pass feature**

Source: <https://github.com/ApolloAuto/apollo>

Doxygen:

<https://hidetoshi-furukawa.github.io/apollo-doxygen/index.html>

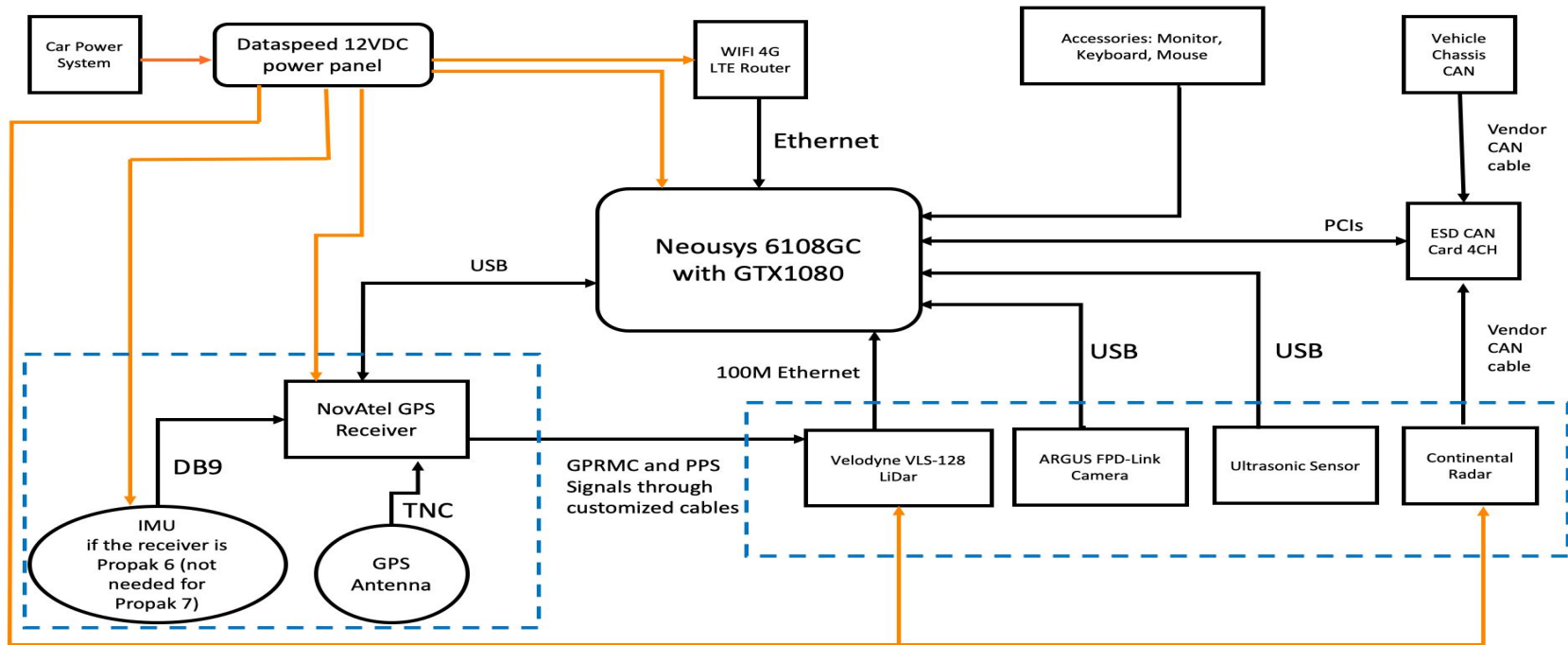
Apollo Software Architecture



Key:  Data Lines  Control lines

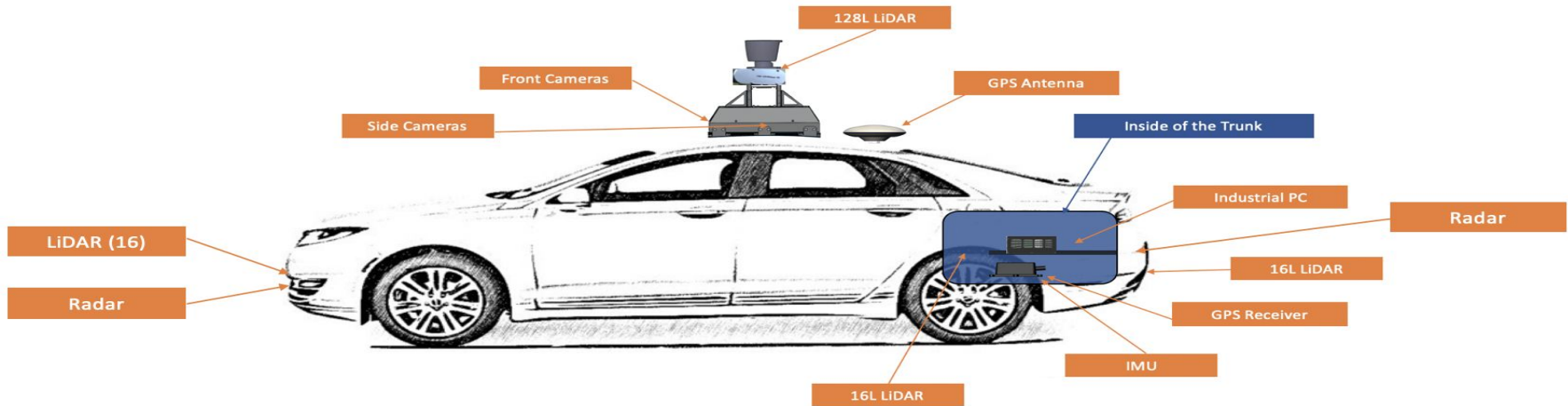
Source: https://github.com/ApolloAuto/apollo/blob/v6.0.0/docs/specs/Apollo_5.5_Software_Architecture.md

Apollo Hardware Architecture



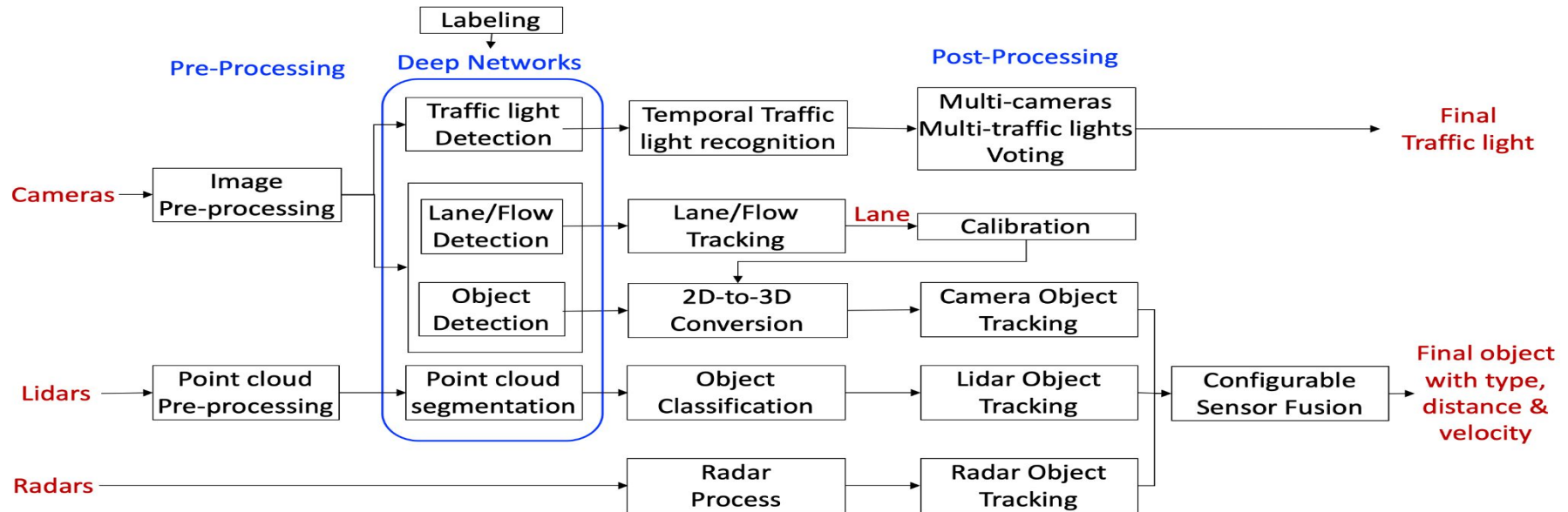
Source: <https://github.com/ApolloAuto/apollo/blob/v6.0.0/README.md>

Apollo Hardware/Vehicle Overview

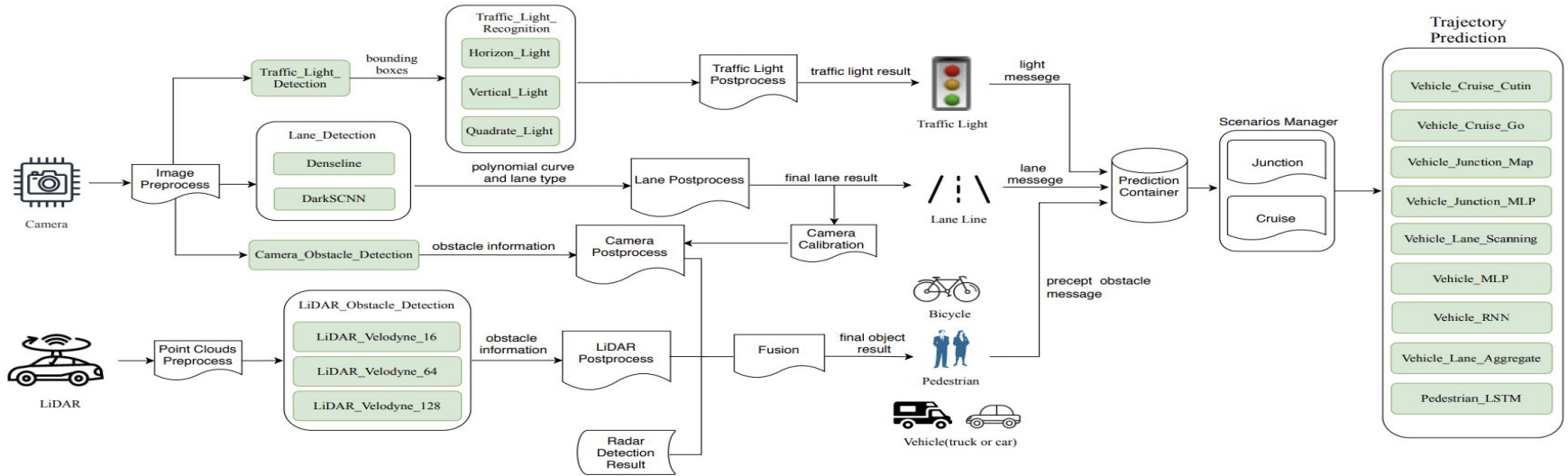


Source: <https://github.com/ApolloAuto/apollo/blob/v6.0.0/README.md>

Apollo Perception Module



Apollo ML Models



Source: Zi Peng, Jinqiu Yang, Tse-Hsun (Peter) Chen, and Lei Ma. 2020. A First Look at the Integration of Machine Learning Models in Complex Autonomous Driving Systems: A Case Study on Apollo. In Proceedings of the 28th ACM Joint European Software Engineering Conference and Symposium on the Foundations of Software Engineering (ESEC/FSE '20), <https://doi.org/10.1145/3368089.3417063>

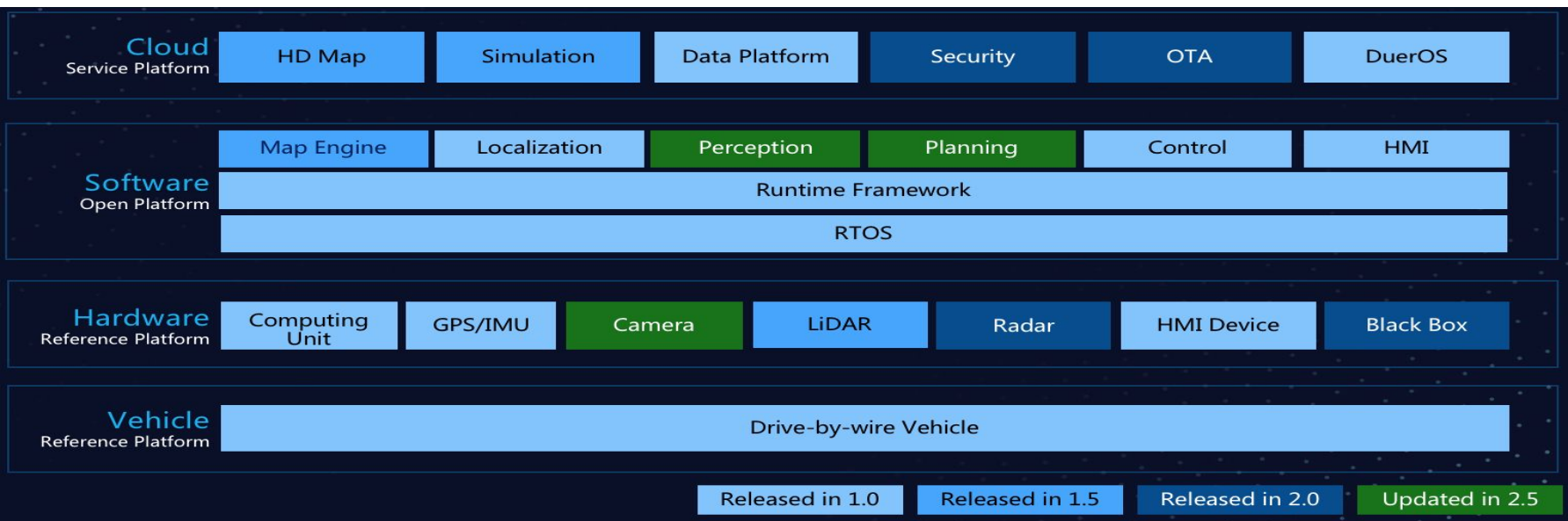
Apollo Software Stack

Cloud Service Platform	HD Map	Simulation	Data Platform	Security	OTA	DuerOS	Volume Production Service Components	V2X Roadside Service			
Open Software Platform	Map Engine	Localization	Perception	Planning	Control	End-to-End	HMI	V2X Adapter			
	Apollo Cyber RT Framework										
	RTOS										
Hardware Development Platform	Computing Unit	GPS/IMU	Camera	LiDAR	Radar	Ultrasonic Sensor	HMI Device	Black Box	Apollo Sensor Unit	Apollo Extension Unit	V2X OBU
Open Vehicle Certificate Platform	Certified Apollo Compatible Drive-by-wire Vehicle							Open Vehicle Interface Standard			

Major Updates in Apollo 3.5

Source: <https://github.com/ApolloAuto/>

Feature Evolution (Software Stack View)



Source: <https://github.com/ApolloAuto/apollo>

Outline

- Views and Abstraction
- Case Study: Autonomous Vehicles
- **Software Architecture**
 - **Definitions, Importance**
 - **Software Design vs. Software Architecture**
- Architecting software
 - Integrating Architectural Decisions into the SW Development Process
 - Common Software Architectures
 - Documentation

Software Architecture

*The software architecture of a program or computing system is the **structure or structures** of the system, which **comprise software elements**, the **externally visible properties** of those elements, and the relationships among them.*

[Bass et al. 2003]

Note: this definition is ambivalent to whether the architecture is known or whether it's any good!

Software Architecture

- Abstraction
- Elements: roles, responsibilities, behaviors, properties
- Relationships between elements
- Relationships to non-software elements
 - Hardware, external systems
- Described from many different perspectives (views)

Software Architecture: Motivation

- Facilitates internal and external communication
- Describes design decisions and prescribes implementation constraints
- Relates to organizational structure
- Permits/precludes achieving non-functional requirements
- Control complexity
- Reason about and manage change
- Good basis for effort estimation
- ...

Architecting Software the SEI Way - Software Architecture Fundamentals: Technical, Business, and Social Influences. Robert Wojcik. 2012

Software Architecture

“Architecture is about the important stuff. Whatever that is.”

Ralph Johnson

design

Editor: Martin Fowler • ThoughtWorks • fowler@acm.org

Who Needs an Architect?

Martin Fowler

Wandering down our corridor a while ago, I saw my colleague Dave Rice in a particularly grumpy mood. My brief question caused a violent statement, “We shouldn’t interview anyone who has ‘architect’ on his resume.” At first blush, this was an odd turn of phrase, because we usually introduce Dave as one of our leading architects.

The reason for his title schizomania is the fact that, even by our industry’s standards, “architect” and “architecture” are terribly overloaded words. For many, the term “software architect” fits perfectly with the smug controlling image at the end of *Martín Rodríguez*. Yet even in firms that have the greatest contempt for that image, there’s a vital role for the technical leadership that an architect such as Dave plays.

What is architecture?

When I was fretting over the title for *Patterns of Enterprise Application Architecture* (Addison-Wesley, 2002), everyone who reviewed it seemed that “architecture” had

been hijacked. However, as so often occurs, inside the blighted cynicism is a pinch of truth. Understanding came to me after reading a posting from Ralph Johnson on the Extreme Programming mailing list. It’s so good I’ll quote it all. A previous posting said:

The RUP working off the IEEE definition, defines architecture as “the highest level concept of a system in its environment. The architecture of a software system (at a given point in time) is its organization or structure of significant components interacting through interfaces, those components being composed of successively smaller components and interfaces.”


Johnson responded:

I was a reviewer on the IEEE standard that used that, and I argued valiantly that this was clearly a completely bogus definition. There is no high-level concept of a system. Customers have a different concept than developers. Customers do not care at all about the structure of significant components. So, perhaps an architecture is the highest level concept that developers have of a system in its environment. I’ve known the about-



Software Design vs. Architecture

Levels of Abstraction

- 
- Requirements
 - high-level “what” needs to be done
 - Architecture (High-level design)
 - high-level “how”, mid-level “what”
 - OO-Design (Low-level design, e.g. design patterns)
 - mid-level “how”, low-level “what”
 - Code
 - low-level “how”

Design vs. Architecture

Design Questions

- How do I add a menu item in NodeBB?
- How can I make it easy to create posts in NodeBB?
- What lock protects this data?
- How does Google rank pages?
- What encoder should I use for secure communication?
- What is the interface between objects?

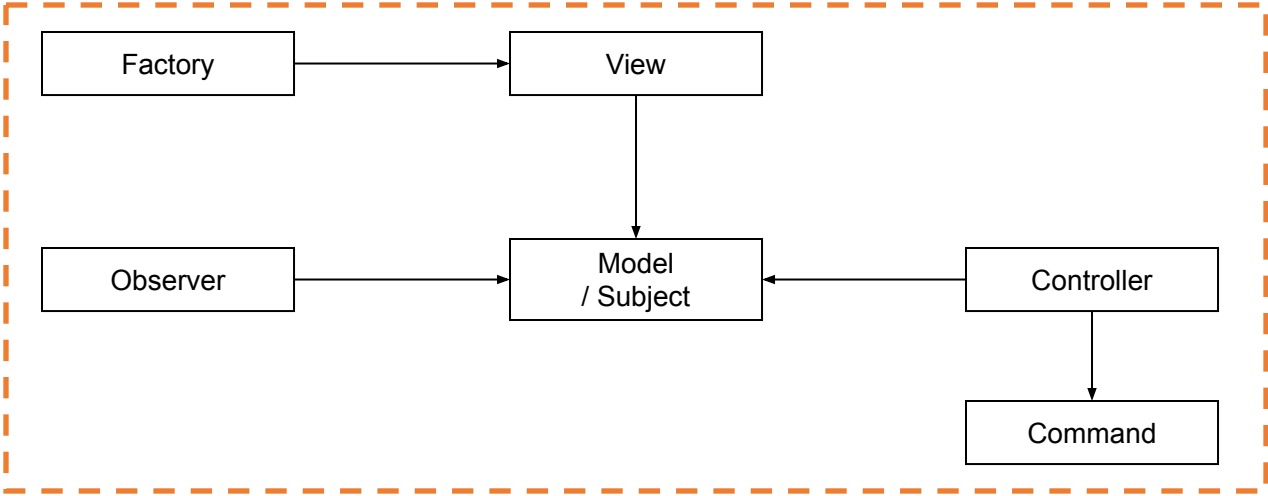
Architectural Questions

- How do I extend NodeBB with a plugin?
- What threads exist and how do they coordinate?
- How does Google scale to billions of hits per day?
- Where should I put my firewalls?
- What is the interface between subsystems?

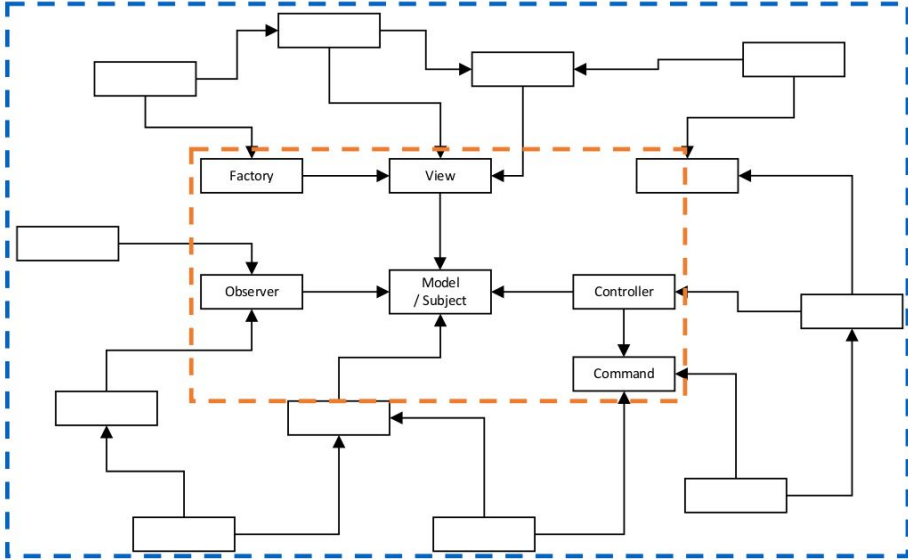
Objects

Model

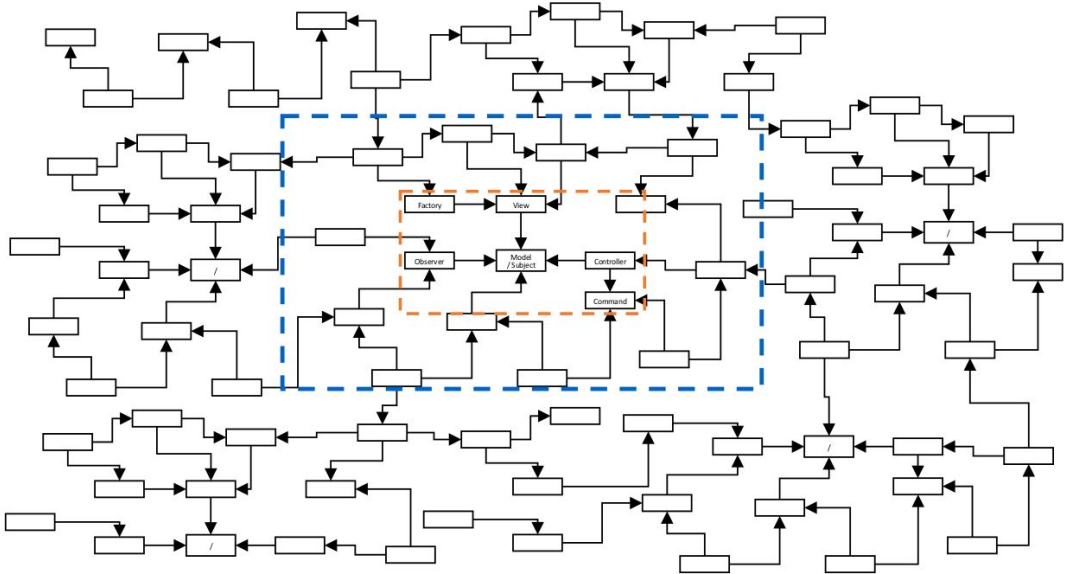
Design Patterns



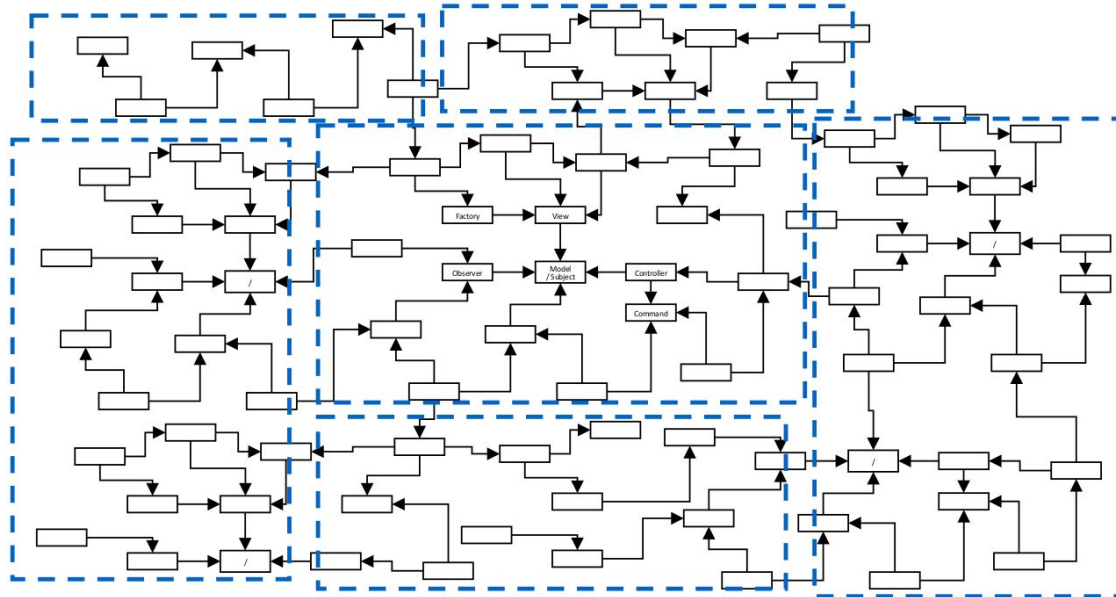
Design Patterns



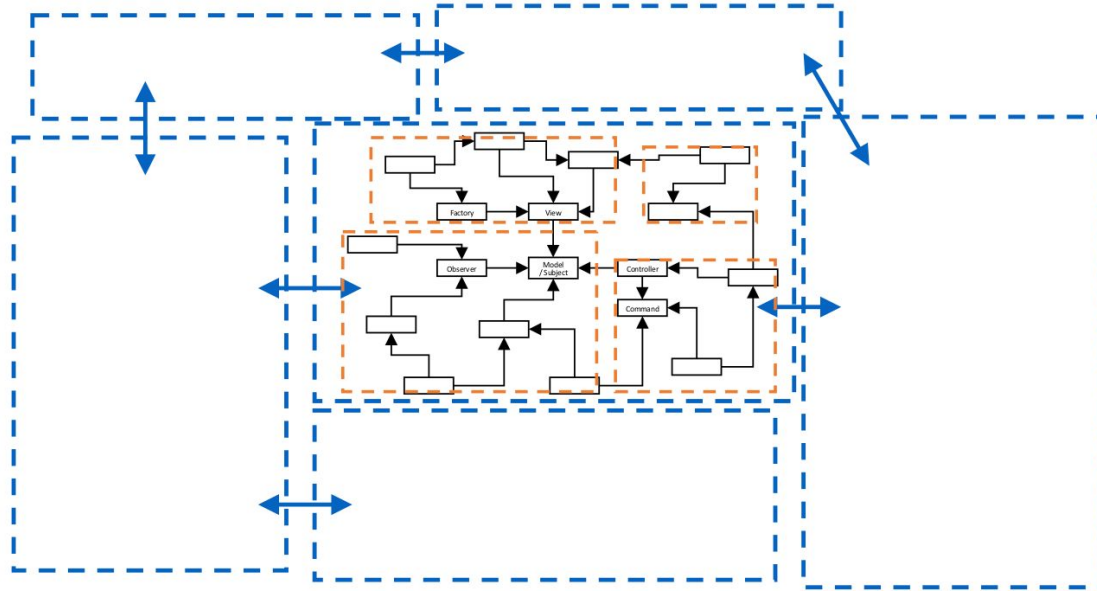
Design Patterns



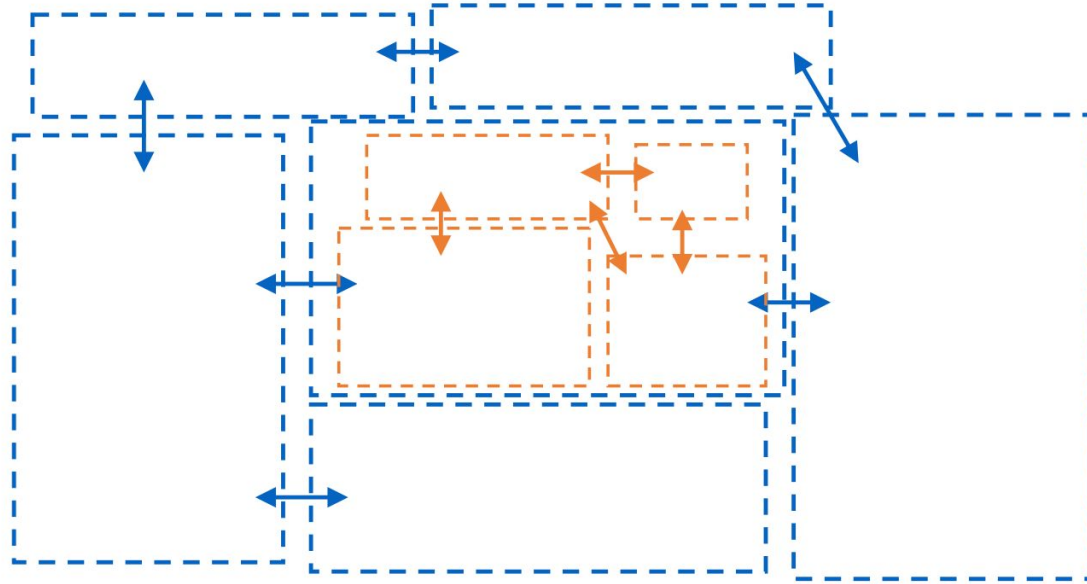
Architecture



Architecture



Architecture



Outline

- Views and Abstraction
- Case Study: Autonomous Vehicles
- Software Architecture
 - Definitions, Importance
 - Software Design vs. Software Architecture
- **Architecting software**
 - **Integrating Architectural Decisions into the SW Development Process**
 - **Common Software Architectures**
 - **Documentation**



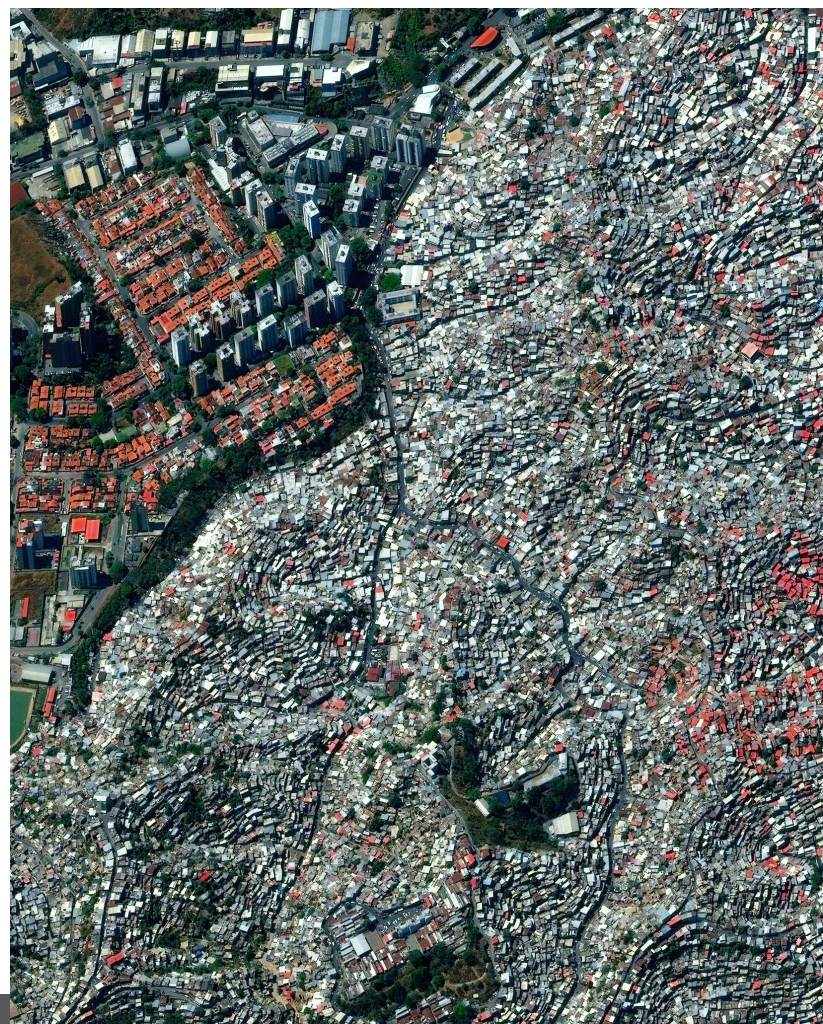
<https://www.archdaily.com/>



<https://www.instagram.com/architectanddesign>



<https://www.mykonosceramica.com/>



www.ao-berlin.com



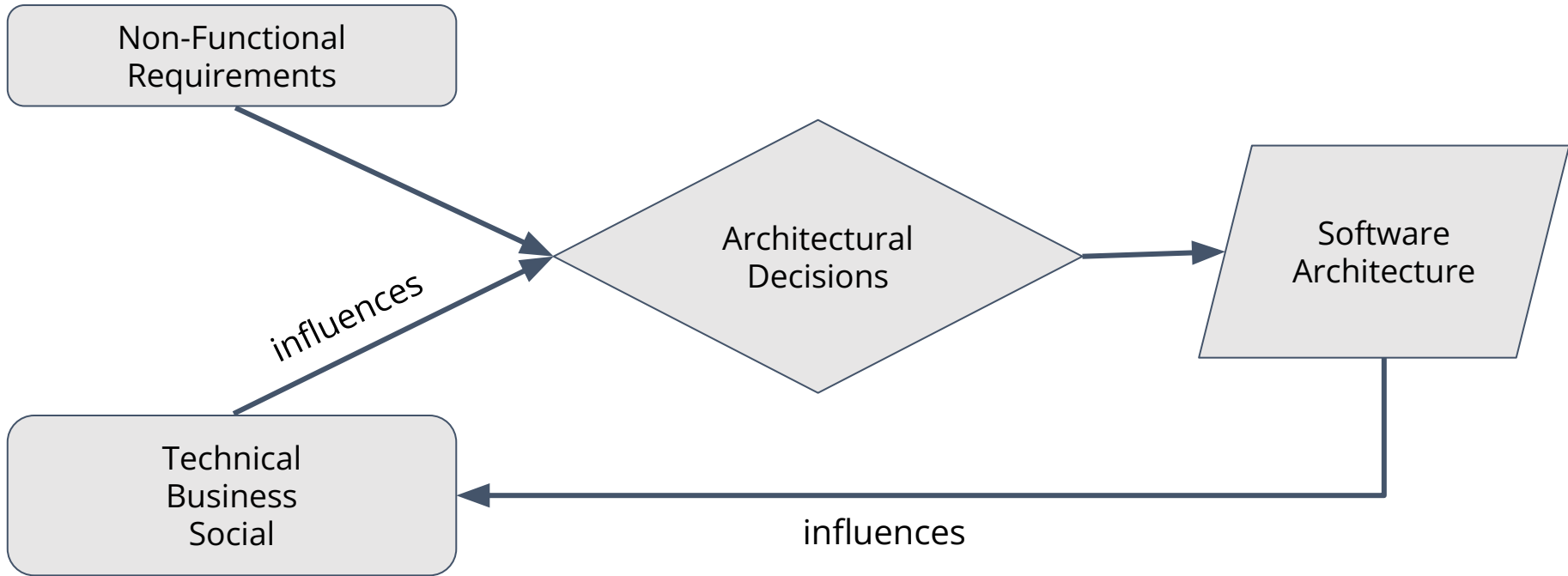
Every software system has an architecture

- Whether you know it or not
- Whether you like it or not
- Whether it's documented or not

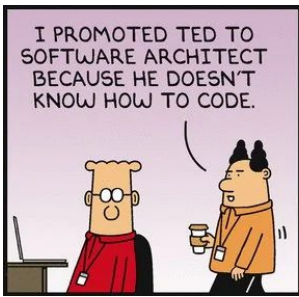
If you don't consciously elaborate the architecture, it will evolve by itself!



Architecting Software the SEI Way - Software Architecture Fundamentals: Technical, Business, and Social Influences. Robert Wojcik. 2012



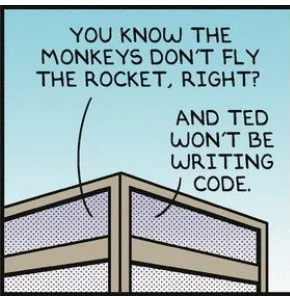
Architecting Software the SEI Way - Software Architecture Fundamentals: Technical, Business, and Social Influences. Robert Wojcik. 2012



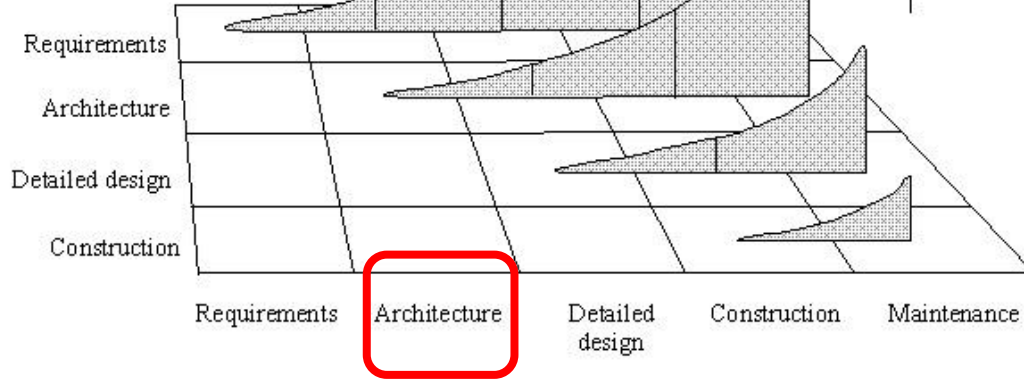
@ScottAdamsSays
Dilbert.com



© 2017 Scott Adams, Inc. Dist. by Andrews McMeel



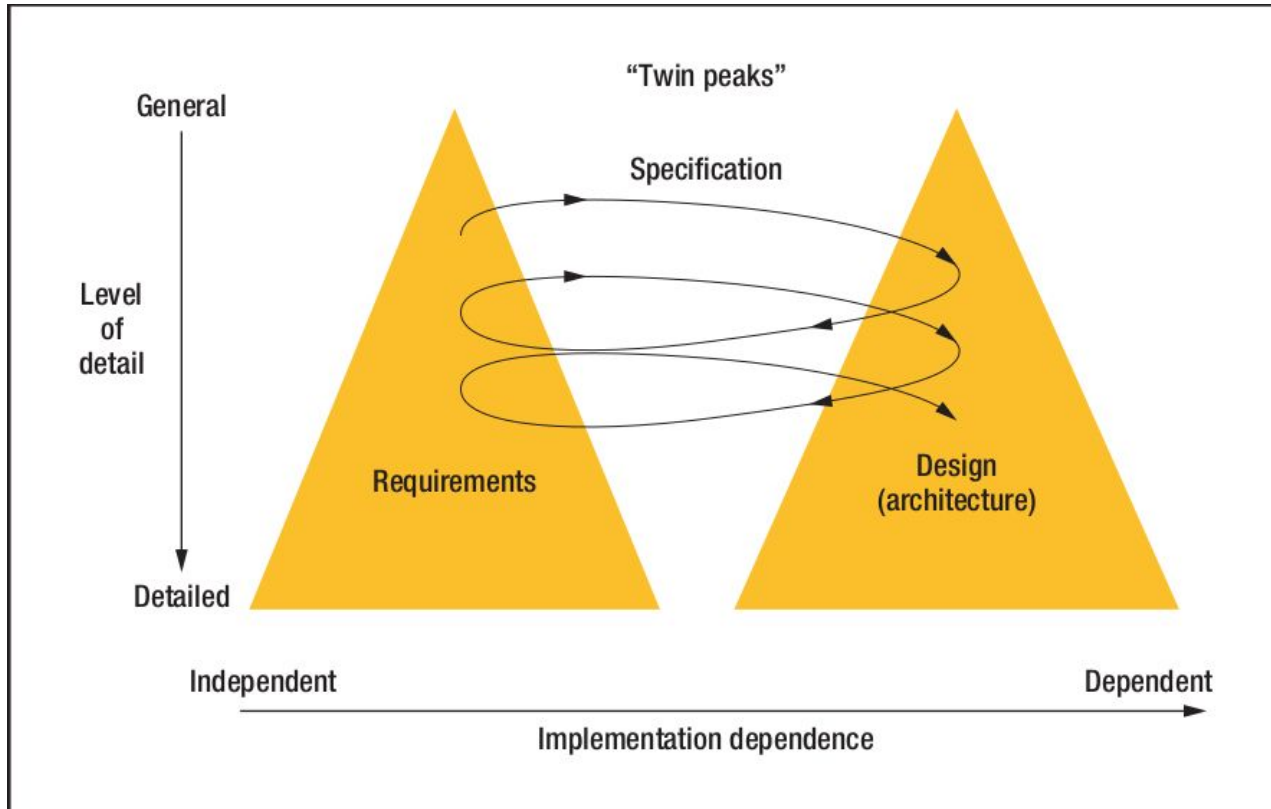
Phase That a Defect Is Created



↑
Cost to Correct

Phase That a Defect Is Corrected

Copyright 1998 Steven C. McConnell. Reprinted with permission from *Software Project Survival Guide* (Microsoft Press, 1998).



B. Nuseibeh, "Weaving together requirements and architectures". 2001

Agile and Architecture

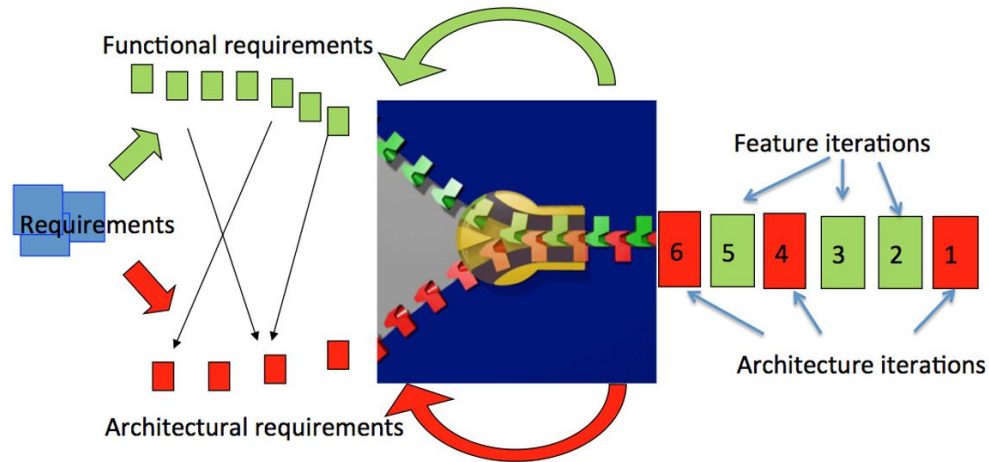
“The best architectures, requirements, and designs emerge from self-organizing teams”



The Zipper Model

How to Agilely Architect an Agile Architecture

by Stephany Bellomo, Philippe Kruchten, Robert L. Nord, and Ipek Ozkaya

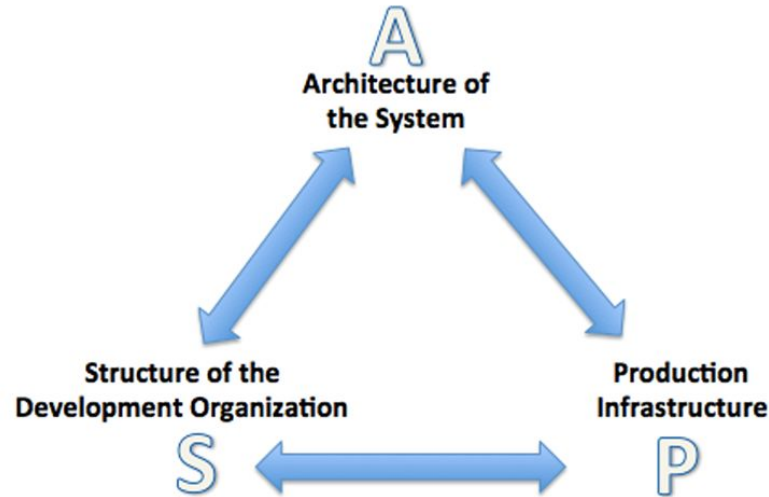


Agile in Distress: Architecture to the Rescue

Robert L. Nord¹, Ipek Ozkaya¹, and Philippe Kruchten²

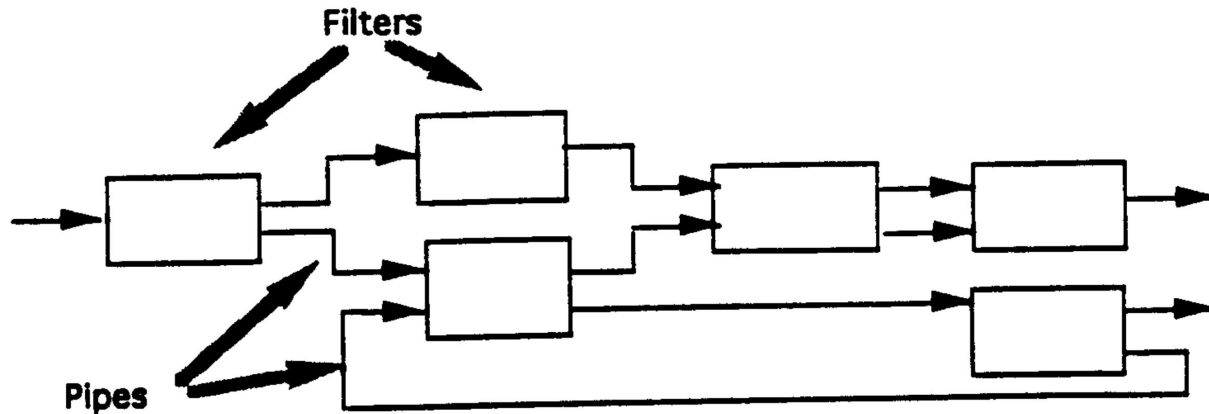
¹ Carnegie Mellon Software Engineering Institute, Pittsburgh, PA, USA
{rn,ozkaya}@sei.cmu.edu

² Electrical & Computer Engineering, University of British Columbia, Vancouver, Canada
pbk@ece.ubc.ca



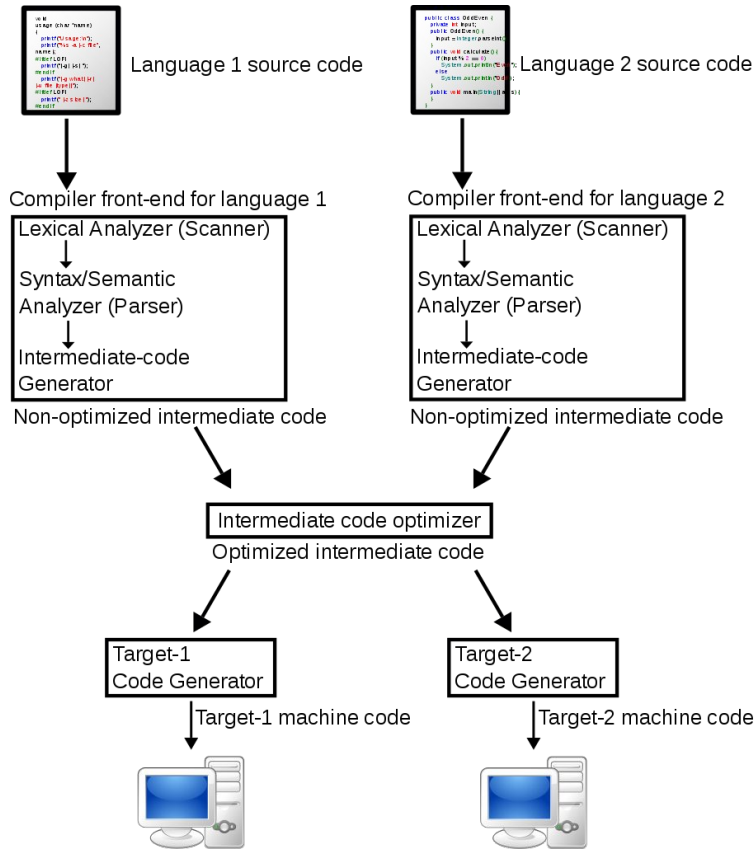
Common Software Architectures

1. Pipes and Filters

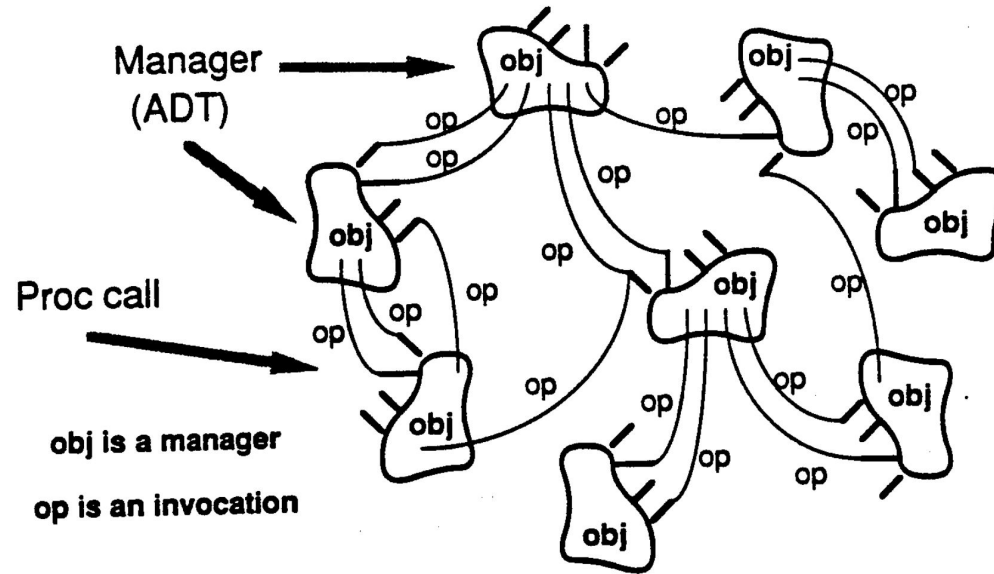


© David Garlan and Mary Shaw, CMU/SEI-94-TR-021

Example: Compilers

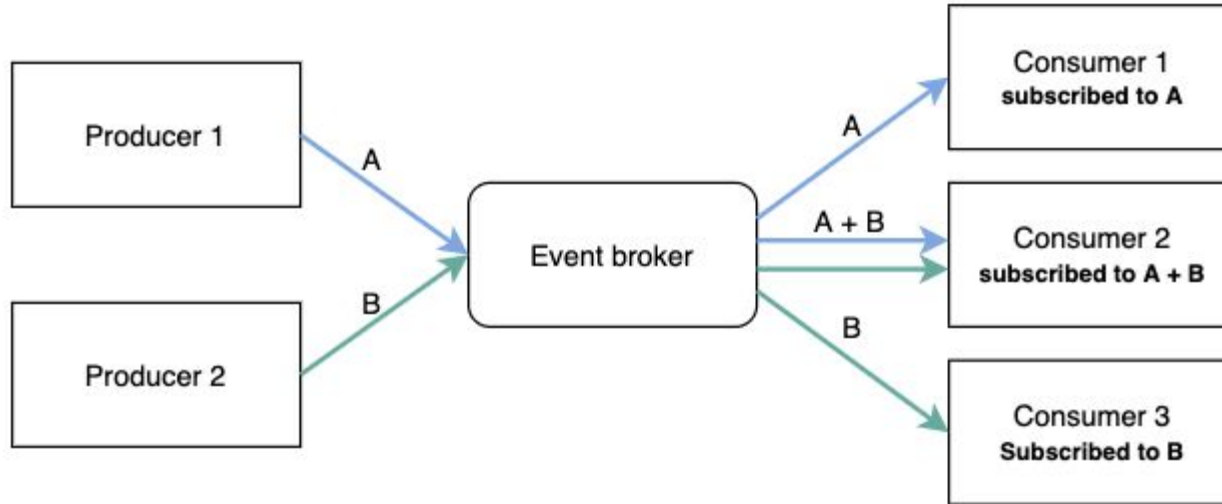


2. Object-Oriented Organization



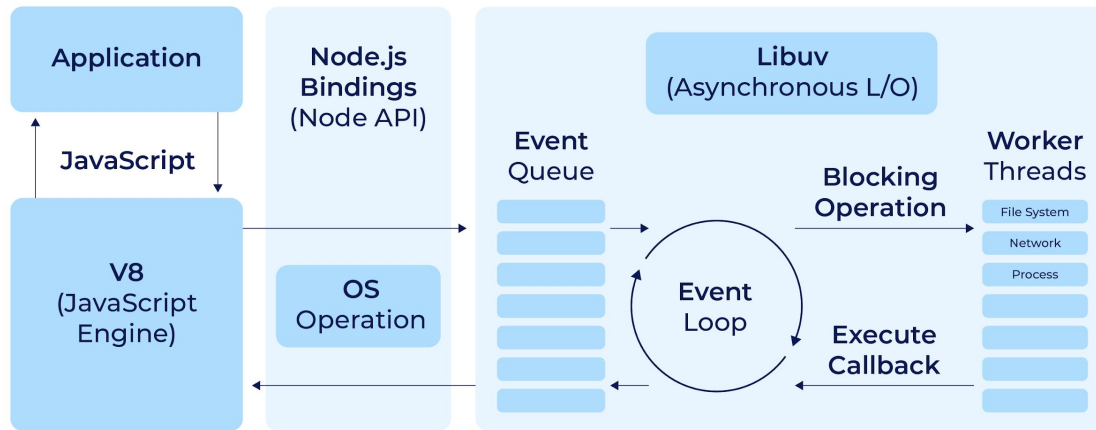
© David Garlan and Mary Shaw, CMU/SEI-94-TR-021

3. Event-Driven Architecture

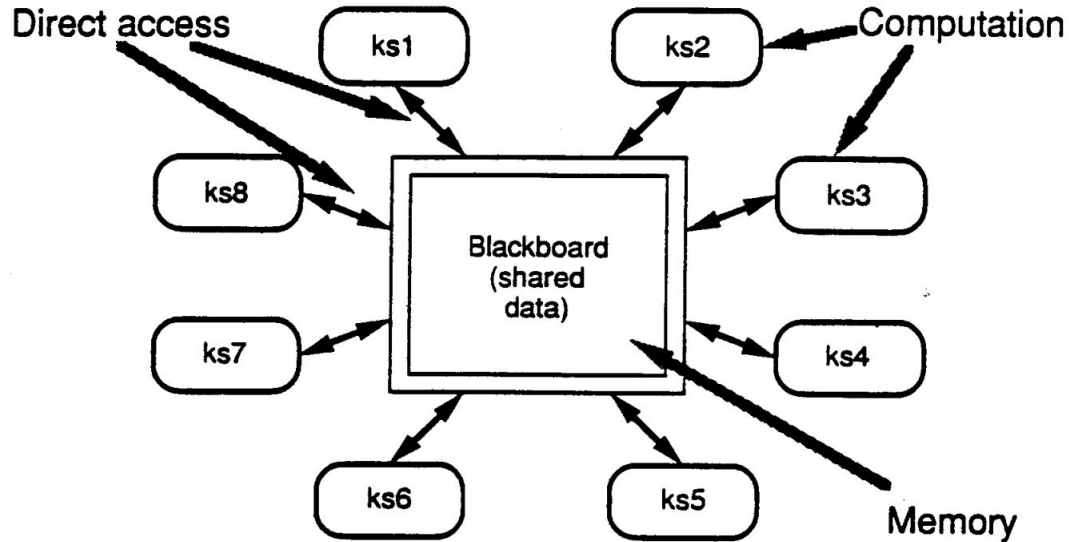


Example: Node.js

Node.js Architecture

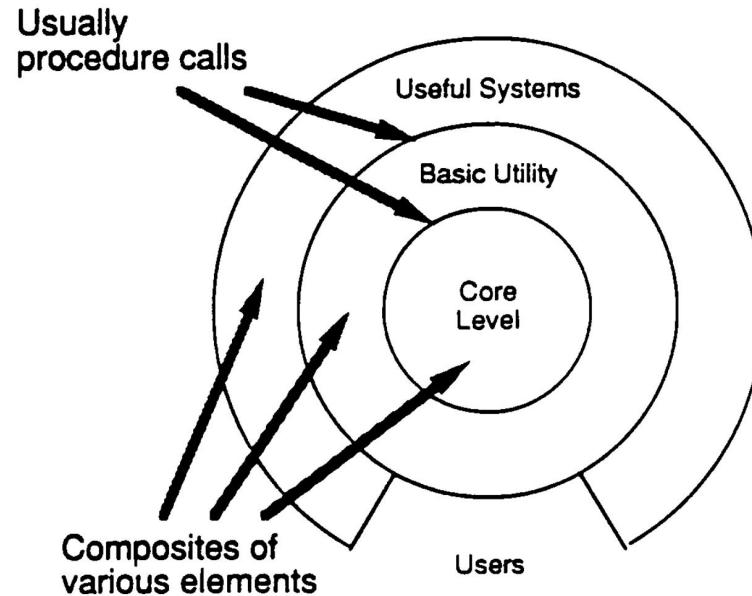


4. Blackboard Architecture



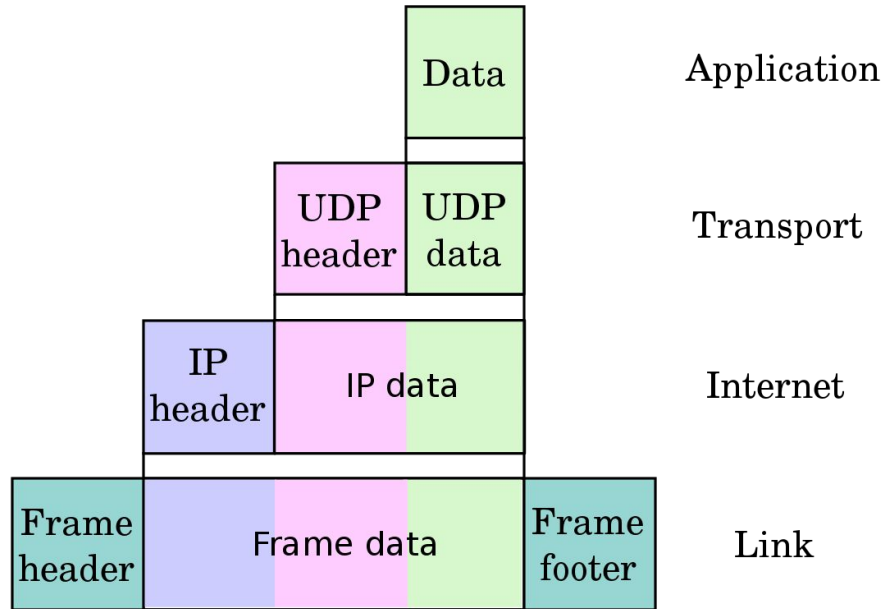
© David Garlan and Mary Shaw, CMU/SEI-94-TR-021

5. Layered Systems



© David Garlan and Mary Shaw, CMU/SEI-94-TR-021

Example: Internet Protocol Suite



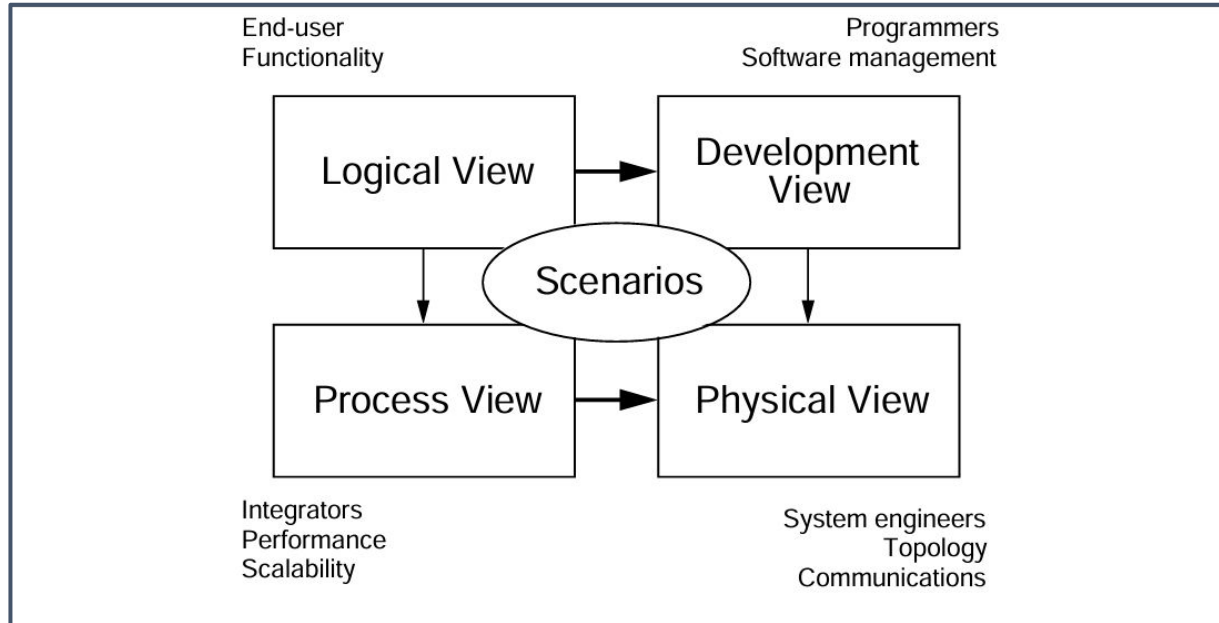
Why Document Architecture?

- Blueprint for the system
 - Artifact for early analysis
 - Primary carrier of quality attributes
 - Key to post-deployment maintenance and enhancement
- Documentation speaks for the architect, today and 20 years from today
 - As long as the system is built, maintained, and evolved according to its documented architecture
- Support traceability.

Views and Purposes

- Every view should align with a purpose
- Views should only represent information relevant to that purpose
 - Abstract away other details
 - Annotate view to guide understanding where needed
- Different views are suitable for different reasoning aspects (different quality goals), e.g.,
 - Performance
 - Extensibility
 - Security
 - Scalability
 - ...

The “4+1” view model

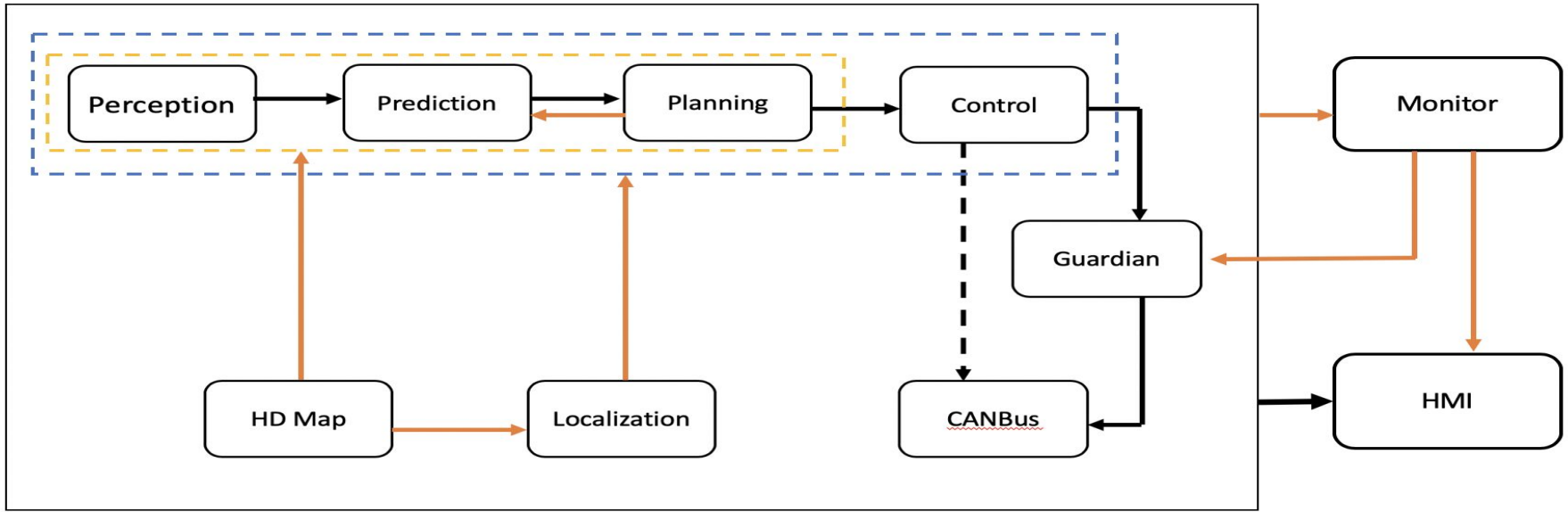


Philippe Kruchten, Architectural Blueprints—The “4+1” View Model of Software Architecture[

Common Views in Documenting Software Architecture

- Logical View (End user)
 - Functionality
 - Subsystems, structures and their relations (dependencies, ...)
- Process View (System Integration)
 - Non-functional aspects
 - Components (processes, runnable entities) and connectors (messages, data flow, ...)
- Development View (Developers)
 - Software modularity / decomposition
- Physical View (System Engineer/DevOps)
 - Hardware structures and their connections
 - Deployment
- Scenarios (All)
 - Outline tasks/use cases
 - Sequences of interactions between objects and processes

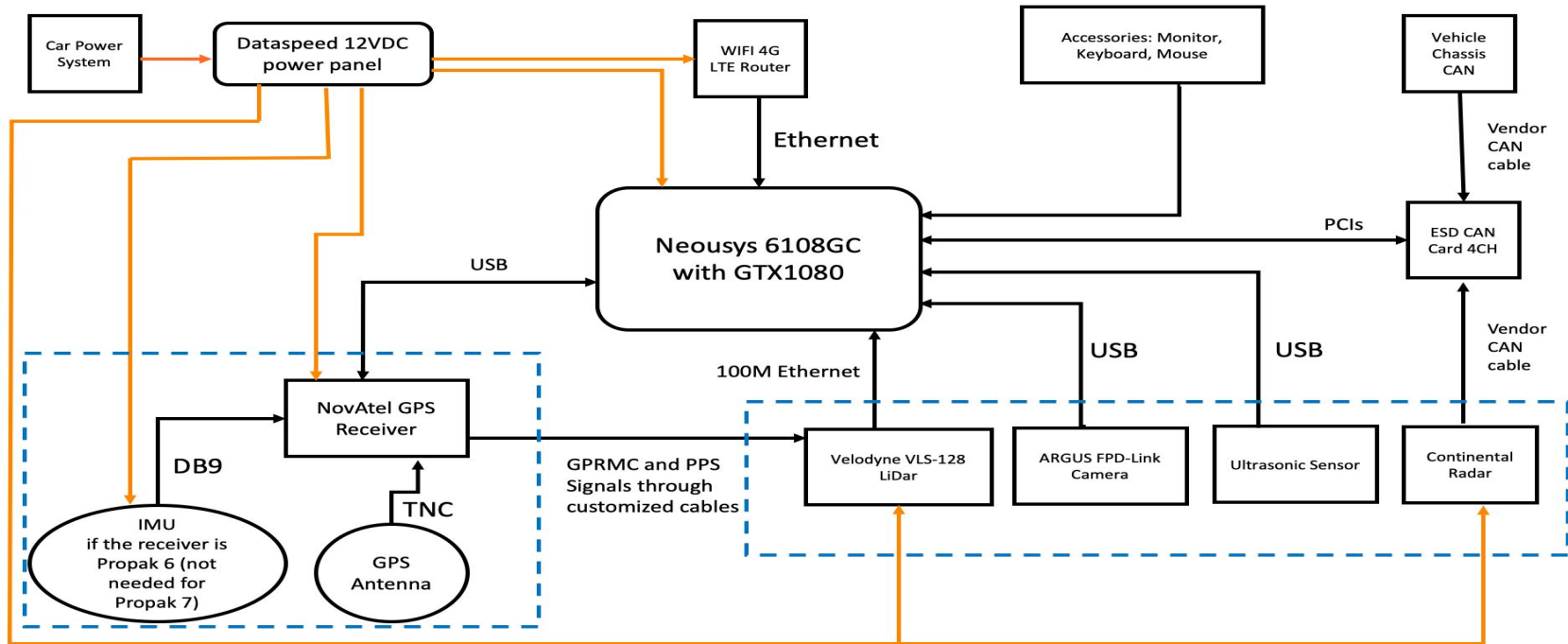
Apollo Software Architecture



Key:  Data Lines  Control lines

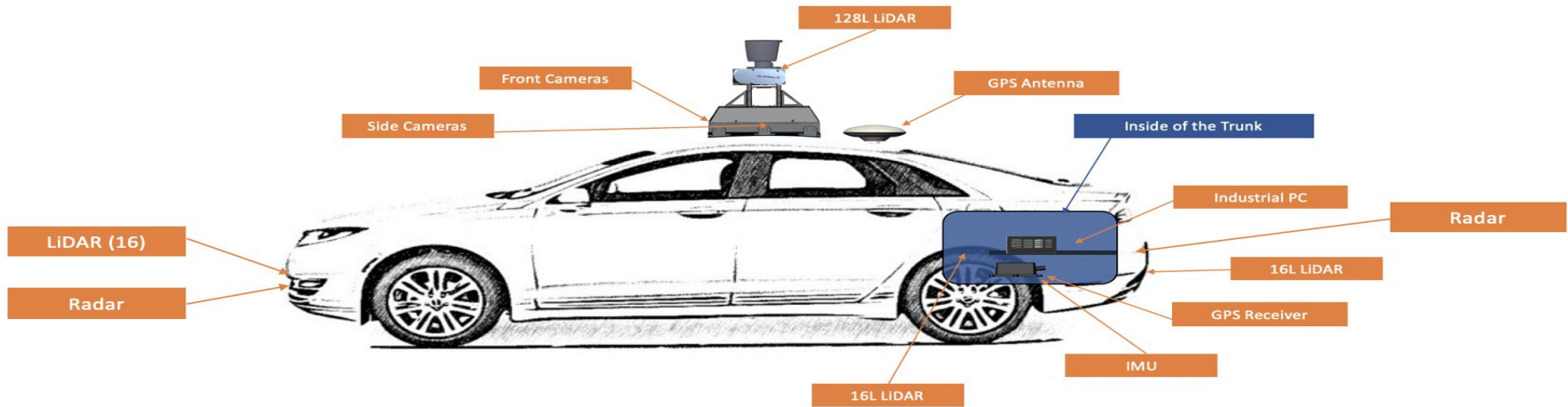
Source: https://github.com/ApolloAuto/apollo/blob/v6.0.0/docs/specs/Apollo_5.5_Software_Architecture.md

Apollo Hardware Architecture



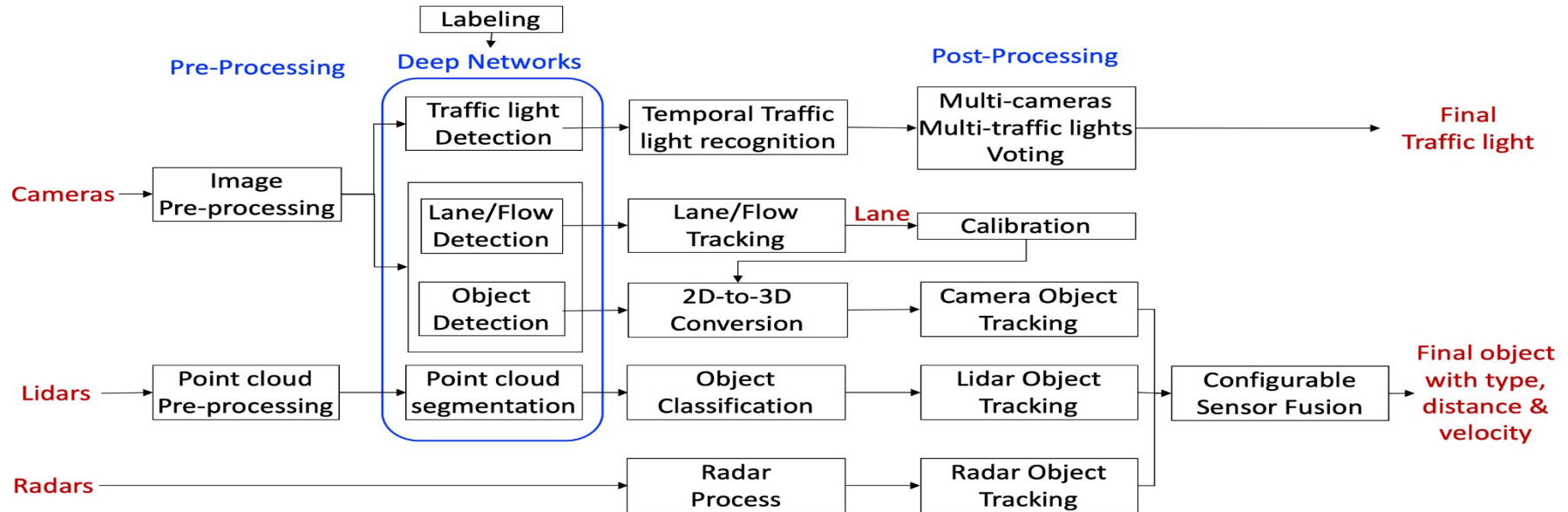
Source: <https://github.com/ApolloAuto/apollo/blob/v6.0.0/README.md>

Apollo Hardware/Vehicle Overview

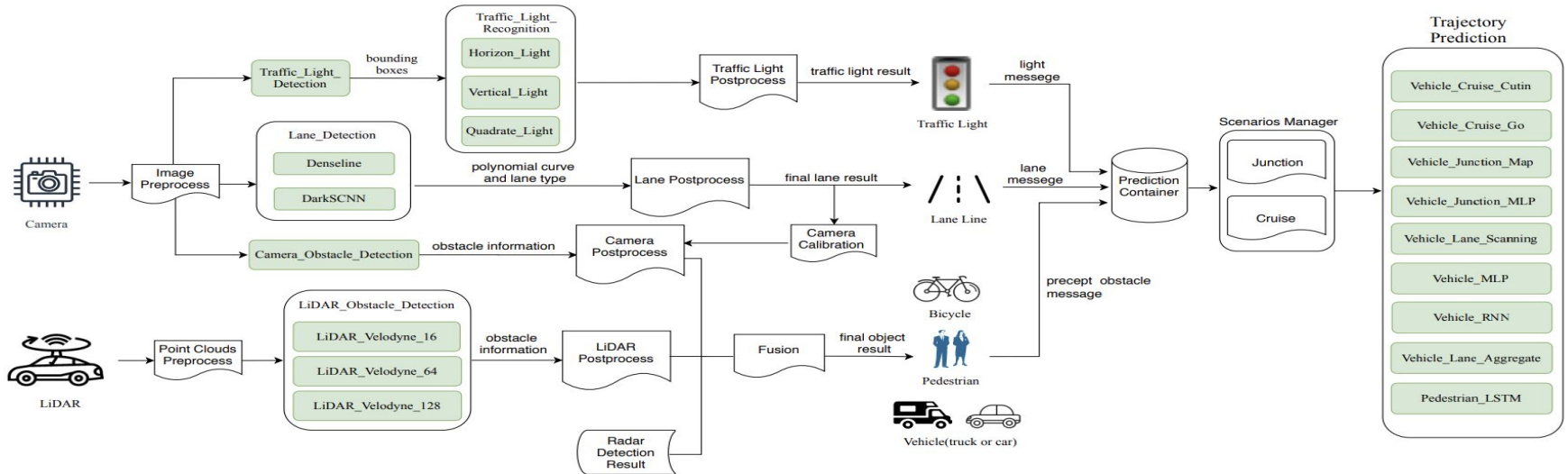


Source: <https://github.com/ApolloAuto/apollo/blob/v6.0.0/README.md>

Apollo Perception Module



Apollo ML Models



Source: Zi Peng, Jinqiu Yang, Tse-Hsun (Peter) Chen, and Lei Ma. 2020. A First Look at the Integration of Machine Learning Models in Complex Autonomous Driving Systems: A Case Study on Apollo. In Proceedings of the 28th ACM Joint European Software Engineering Conference and Symposium on the Foundations of Software Engineering (ESEC/FSE '20), <https://doi.org/10.1145/3368089.3417063>

Apollo Software Stack

Cloud Service Platform	HD Map	Simulation	Data Platform	Security	OTA	DuerOS	Volume Production Service Components	V2X Roadside Service			
Open Software Platform	Map Engine	Localization	Perception	Planning	Control	End-to-End	HMI	V2X Adapter			
	Apollo Cyber RT Framework										
	RTOS										
Hardware Development Platform	Computing Unit	GPS/IMU	Camera	LiDAR	Radar	Ultrasonic Sensor	HMI Device	Black Box	Apollo Sensor Unit	Apollo Extension Unit	V2X OBU
Open Vehicle Certificate Platform	Certified Apollo Compatible Drive-by-wire Vehicle							Open Vehicle Interface Standard			

Major Updates in Apollo 3.5

Source: <https://github.com/ApolloAuto/>



Btw, I'd like to apologize for Twitter being super slow in many countries. App is doing >1000 poorly batched RPCs just to render a home timeline!

1:00 PM · Nov 13, 2022

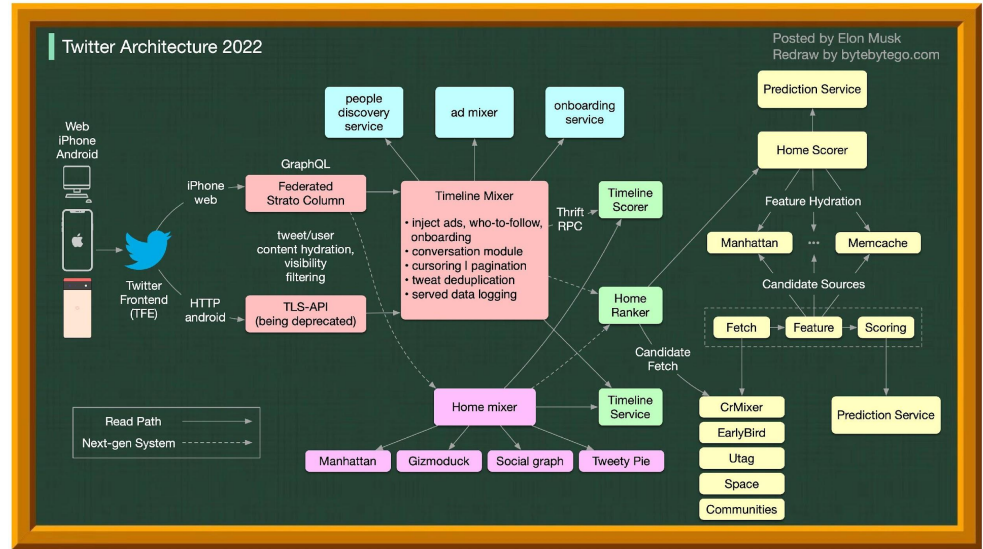


Just leaving Twitter HQ code review



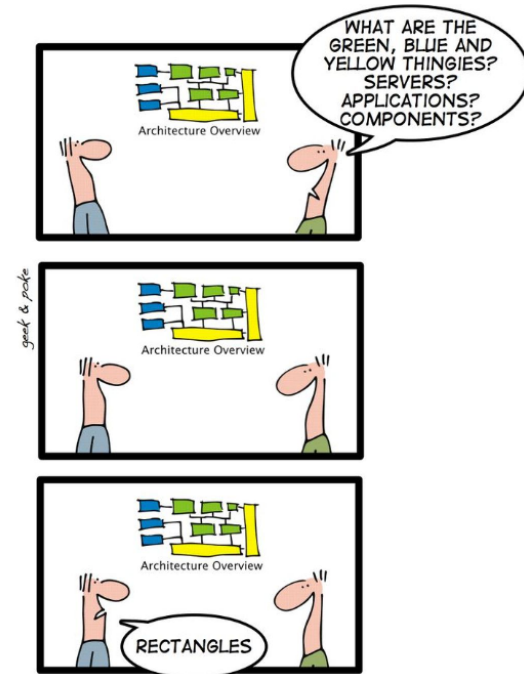
4:28 AM · Nov 19, 2022

36.9K Retweets 16.1K Quote Tweets 464K Likes



Guidelines for selecting a notation

- Suitable for purpose
- Often visual for compact representation
- Usually, boxes and arrows
- UML possible (semi-formal), but possibly constraining
 - Note the different abstraction level – Subsystems or processes, not classes or objects
- Formal notations available
- Decompose diagrams hierarchically and in views
- Always include a legend
- Define precisely what the boxes mean
- Define precisely what the lines mean
- Do not try to do too much in one diagram
 - Each view of architecture should fit on a page
 - Use hierarchy



Learning Goals

- Understand the abstraction level of architectural reasoning
- Appreciate how software systems can be viewed at different abstraction levels
- Distinguish software architecture from (object-oriented) software design
- Explain the importance of architectural decisions
- Integrate architectural decisions into the software development process
- Document architectures clearly, without ambiguity